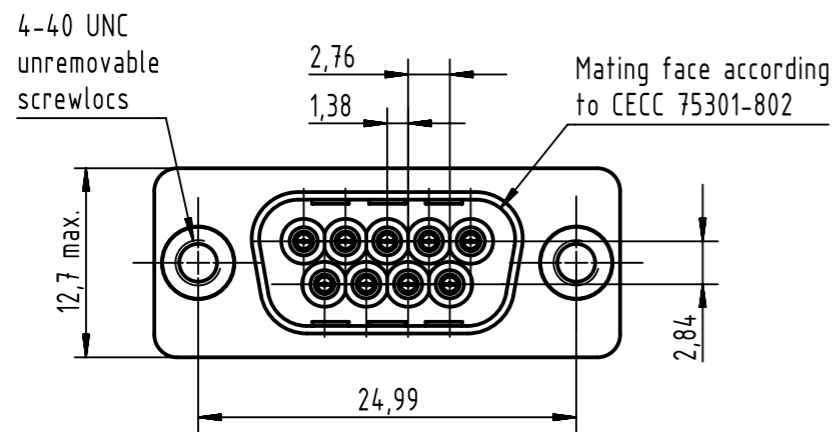
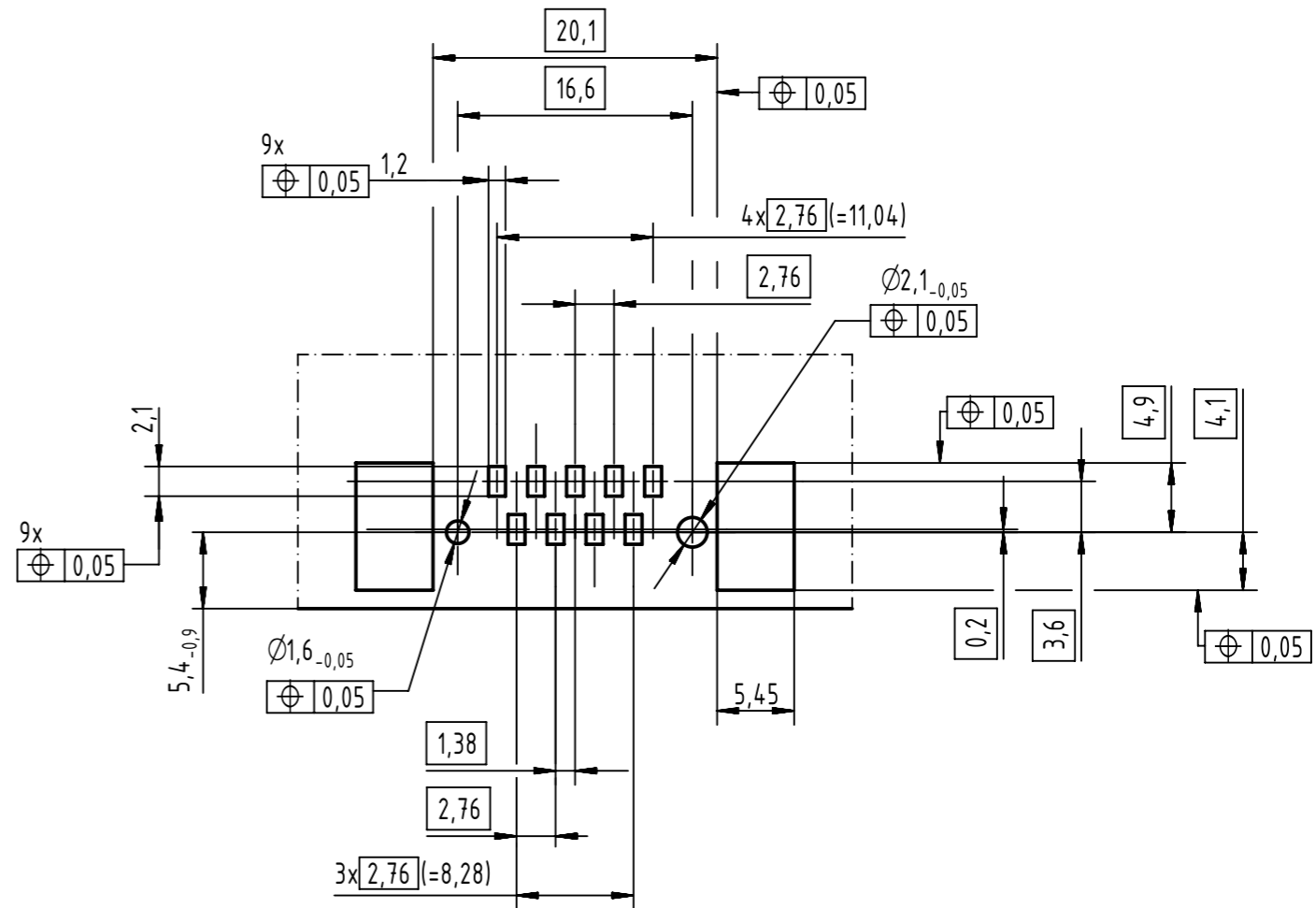
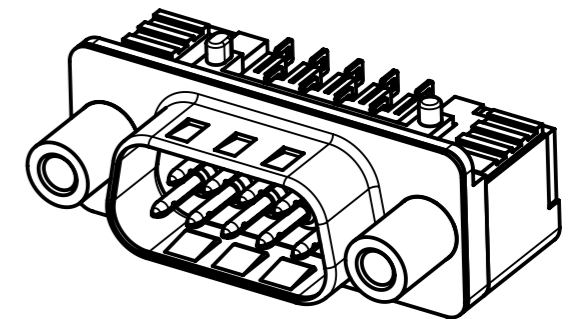
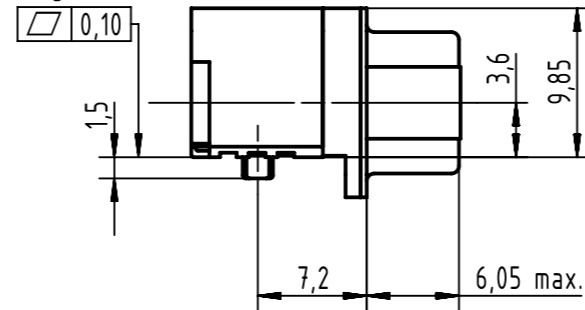


PCB layout, mounting side (thickness 1,6 min.)



All contacts and grounds



Max. Temperature: 260°C during 10 seconds
Find further technical information on DS 09550200301

0955 166 6820 333	2	4-40 UNC	Black insulator	Samples
0955 166 3820 741	1	4-40 UNC	Black insulator	Reel Packaging (160 connectors)
0955 166 6820 741	2			
0955 166 7820 741	3			
Part number	PL	Thread	Index designation	

	All rights reserved Department EC PD - CN	All Dimensions in mm Original Size DIN A3		Scale 2:1	Free size tol.	Ref. Sub.
		Created by ZHUANGJ	Inspected by LUOK	Standardisation HOFFMANN	Date 2016-08-31	State Final Release
HARTING Electronics GmbH D-32339 Espelkamp		Title D-Sub angled LP 9-pole male with screw lock				Doc-Key / ECM-Nr. 100682917/UGD/000/A 500000107532
		Type TB	Number 0955166X820		Rev. A	Page 1/1